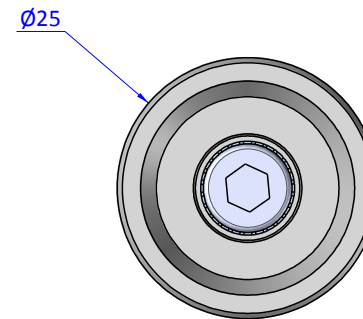
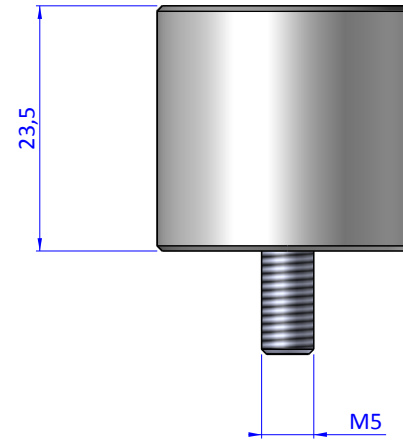
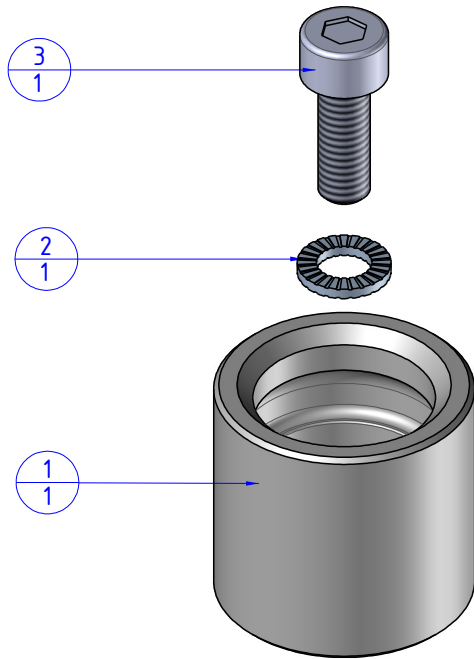



THE PROPERTY OF THE DRAWING IS ESTABLISHED BY LAW. IT IS FORBIDDEN TO PRODUCE OR SHOW IT TO THIRD PARTY, WITHOUT A WRITTEN AGREEMENT.

Item	Name	Q.ty
1	AGP.20.M	1
2	R.5.SCH	1
3	V.TCE5x14	1



Format A3

UNI 936-76

 FPS SERVICES AUTOMATION		DESIGNED FROM		REVIEW
		FPS Automation		A
GENERAL TOLERANCE		DATE	WEIGHT	
UNI - ISO 2768		05/06/2019	0,060kg	
CLASSE f	DESCRIPTION	CODE		
	CA.AGP.20.M	CA.AGP.20.M		